



Great Engineering BenchMAX™

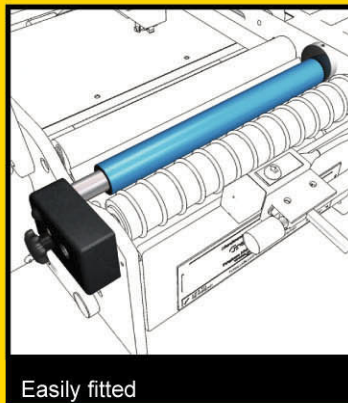
Fast and Flexible On Demand Labelling

Small container adaptor:

- This easy to fit adaptor enables application of extremely small labels

Small Container Adaptor

- Quick and easy to fit
- Accepts products in ranges 10mm - 50mm
- Example products: vials, lipsticks, syringes etc



Easily fitted



Easily labelled

Applies pressure sensitive die-cut, roll-formatted labels
Diameter of containers = 10mm (3/8 inch) to 140mm (5 1/2 inches)
Labelling height = 230mm (9 inches approx.)
Applies single or front and back labels
Construction = 10mm alloy, stainless steel bolts and shafts
Weight (unpacked) = 30 kg (66.14 pounds)
Dimensions = 50cm x 50cm x 35cm
Anodised finish

Designed and manufactured by:
Great Engineering
7/11 Sabre Drive, Port Melbourne,
Victoria, Australia, 3207
Ph: +61 (03) 9646 8688
Fax: +61 (03) 9646 3144
www.greatengineering.com
Patent No. = PL 0614

