



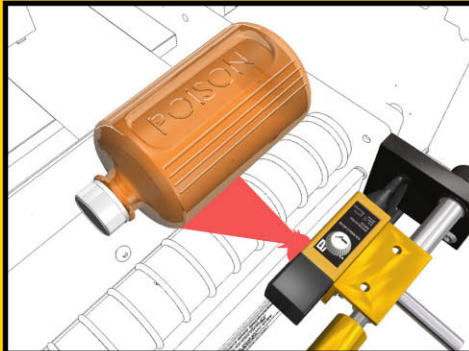
Great Engineering BenchMAX™

Most Advanced Semi-Automatic Labeller

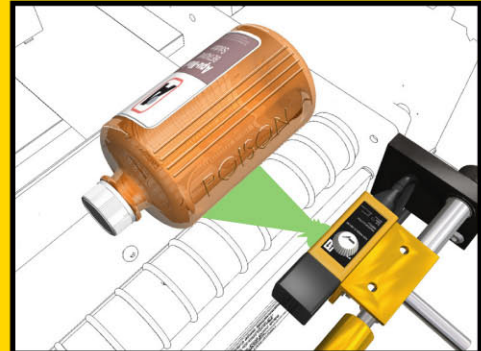
Accurate label placement:

- Ideal for over-labelling, re-labelling and specific label placement
- Our advanced orientation system ensures labels are placed accurately
- Applies bar codes, export and award labels

Accurate Label Placement



Scanning ribs and embossing



Automatic positioning



Perfect alignment



Perfect placement

Applies pressure sensitive die-cut, roll-formatted labels
Diameter of containers = 10mm (3/8 inch) to 140mm (5 1/2 inches)
Labelling height = 230mm (9 inches approx.)
Applies single or front and back labels
Construction = 10mm alloy, stainless steel bolts and shafts
Weight (unpacked) = 30 kg (66.14 pounds)
Dimensions = 50cm x 50cm x 35cm
Anodised finish



Designed and manufactured by:
Great Engineering
7/11 Sabre Drive, Port Melbourne,
Victoria, Australia, 3207
Ph: +61 (03) 9646 8688
Fax: +61 (03) 9646 3144
www.greatengineering.com
Patent No. = PL 0614